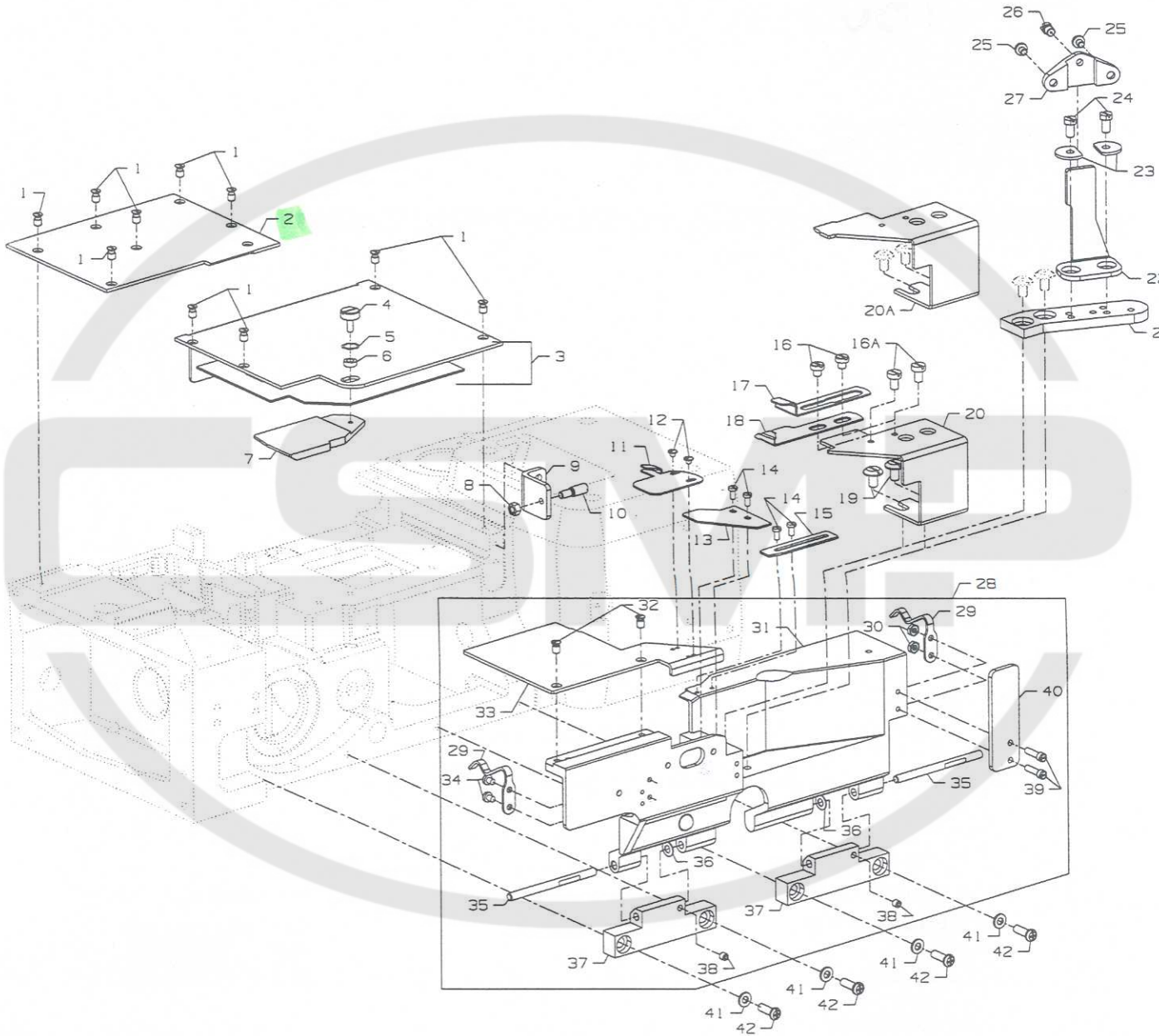


3-Needle Flat Bed Universal Machine**MF-7605-U06****MF-7605-C02****PARTS LIST****HOW TO MAKE USE OF THIS PARTS LIST**

1. As to "#01" and "#02" refer to the "Note" given at the bottom of the respective pages.
2. Codes on the "Qty" column
 - Each numeral indicates the number of parts required.
 - "0.1" and "2.5" indicate the length (in meters) of the respective parts.
3. Parentheses mean that the corresponding part is a subpart that constructs an assembly part.
4. Dotted lines on the Figures indicate assembly parts.

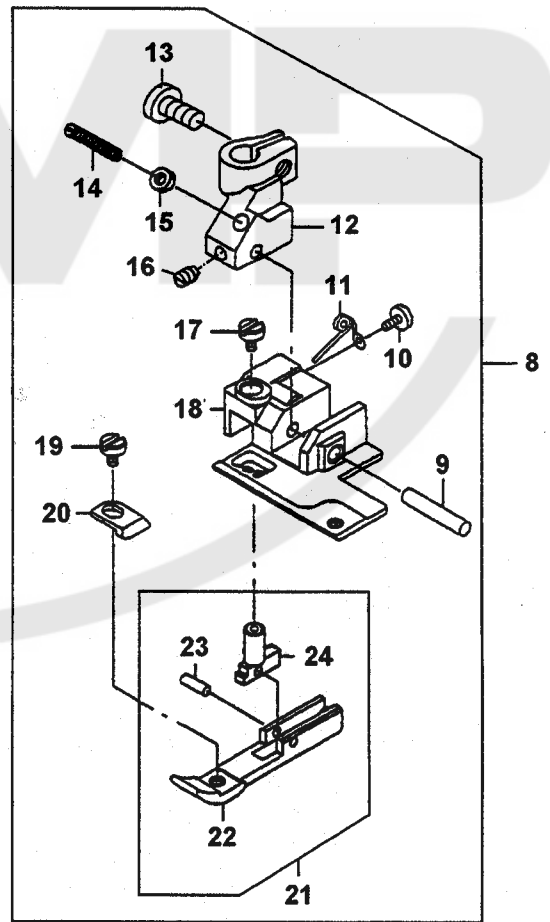
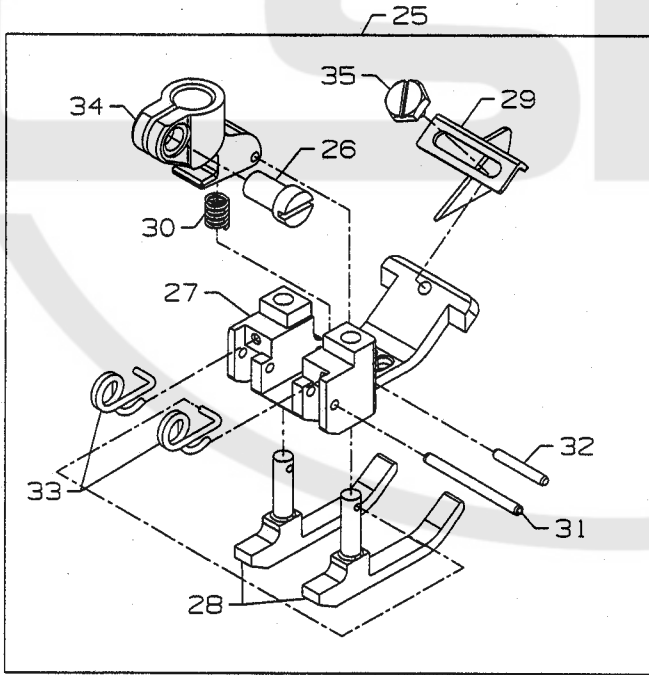
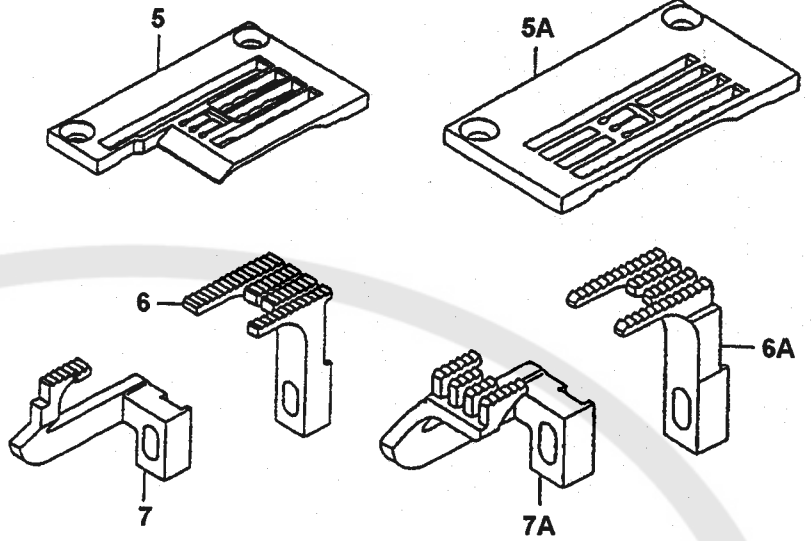
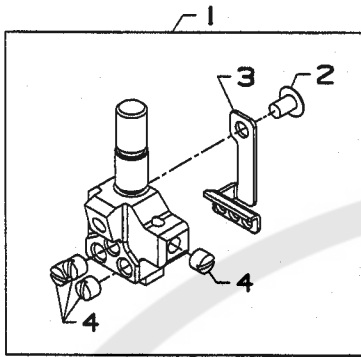


MISCELLANEOUS PARTS

Ref.No.	Juki Part No.	Description	Code	Amt.Req.
1.	US-0018Z14-48	Screw, cloth plates	18-1448	11
2.	US-0050301-CR	Cloth plate, left	50301CR	1
3.	US-0050301-CS	Cloth plate, right	50301CS	1
4.	MAL-01110000	Screw	MAL01110000	1
5.	WZ-0850302-KO	Washer	WZ0850302KO	1
6.	B3013-141-HOA	Washer	B3013141HOA	1
7.	US-0005036-2J	Swing cover	50362J	1
8.	301-03105	Nut	35569J	1
9.	US-0050357-AC	Support Bracket	50357AC	1
10.	300-81905	Stud	22799AH	1
11.	US-0005050-3C	Edge guide, For C02 Styles	50303C	1
12.	302-58602	Screw, For C02 Styles	187A	2
13.	301-65609	Guard, For C02 Styles	50382BB	1
14.	302-56705	Screw, For C02 Styles	77L	4
15.	301-02909	Plate, For C02 Styles	50343A	1
*16.	302-93609	Screw	95169	2
**16A	SM-6050810-SC	Screw	SM6050810SC	2
*17.	302-34306	Folder, upper	34703F2	1
*18.	302-99903	Folder, lower	34703FA1	1
19.	300-08502	Screw	22517B	2
20.	US-0050364-AC	Support cover, For U06 Styles	50364AC	1
20A	US-0050364-AE	Support cover, For C02 Styles	50364AE	1
21.	301-30801	Holder bracket, For C02 styles	50364M	1
22.	301-69502	Folder support bracket, For C02 Styles	52864W	1
23.	301-30702	Washer, For C02 Styles	50368H	2
24.	301-30603	Screw, For C02 Styles	22882E	2
25.	SS-7110510-SP	Screw, For C02 Styles	SS7110510SP	2
26.	301-30504	Screw, For C02 Styles	22852G	1
27.	303-02509	Holder clamp, For C02 Styles	23432B	1
28.	US-0029476-YA	Front cover assembly	29476YA	1
29.	301-02701	Latch Spring	50332A	2
30.	300-99402	Nut	41071G	2
31.	US-0050382-FT	Front cover	50382FT	1
32.	301-68009	Screw	22525A	2
33.	US-0050301-CT	Cloth plate, left	50301CT	1
34.	301-47508	Screw	22513D	2
35.	US-0005034-7P	Hinge pin	50347P	2
36.	300-70701	Spring washer	97127	2
37.	US-0005037-8T	Hinge	50378T	2
38.	300-96705	Screw	22894W	2
39.	302-55301	Screw	22729D	2
40.	US-0050363-CH	Front cover lever	50363CH	1
41.	302-59600	Washer	8372A	4
42.	SS-4121415-SP	Screw	SS4121415SP	4

*For MF7000T Styles

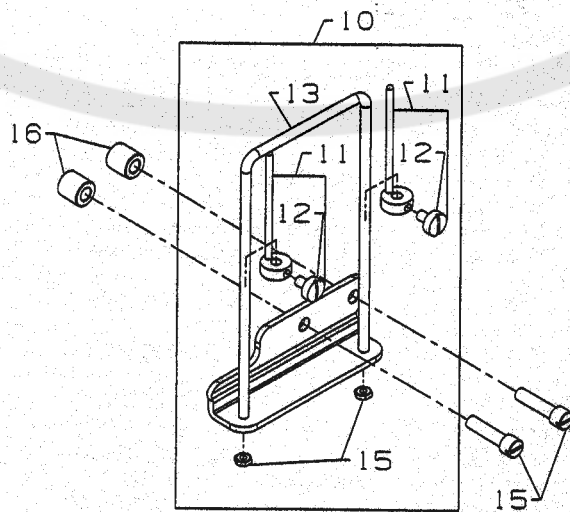
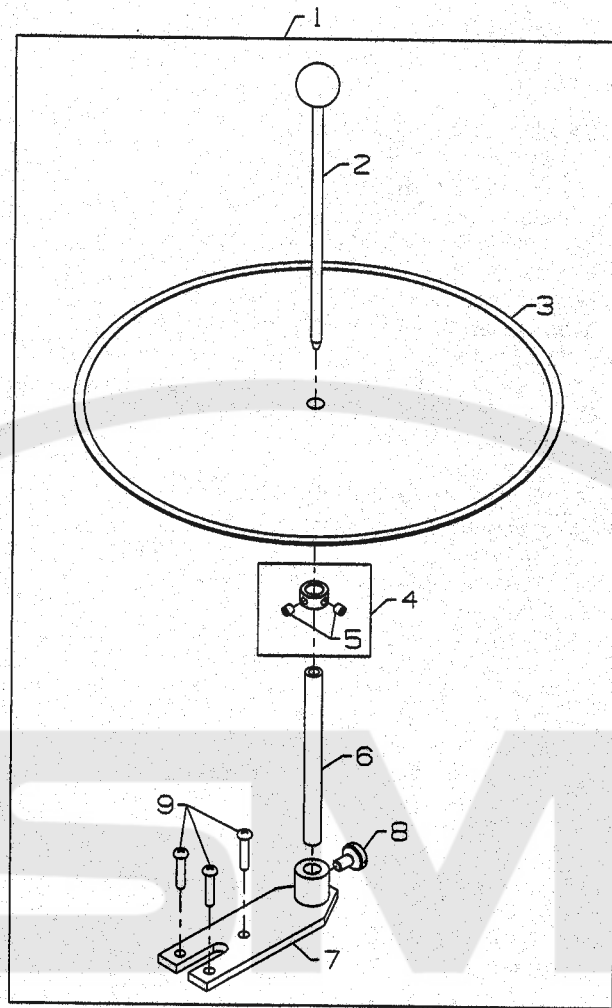
**For MF7000U Styles



SEWING PARTS

Ref.No.	Juki Part No.	Description	Code	Amt. Req.
1.	-----	Needle Head (See Chart)	-----	1
2.	SS-5060410-SP	Screw	SS5060410SP	1
3.	US-50318AE-56	Eyelet, Needle Head	50318AE56	1
4.	SS-8080310-TP	Screw	SS8080310TP	4
5.	-----	Throat Plate, For C02 styles (see chart)	-----	1
5A.	-----	Throat Plate, For U06 styles (see chart)	-----	1
6.	-----	Main Feed Dog For C02 styles (see chart)	-----	1
6A.	-----	Main Feed Dog For U06 styles (see chart)	-----	1
7.	-----	Differential Feed Dog For C02 Styles (see chart)	-----	1
7A.	-----	Differential Feed Dog For U06 Styles (see chart)	-----	1
8.	-----	Presser Foot For C02 styles (see chart)	-----	1
9.	PH-0300164-C0	Parallel Pin	PH0300164C0	1
10.	US-0050330-FU	Set Screw	50330FU	1
11.	US-0050330-FR	Step Presser Spring	50330FR	1
12.	US-0050330-FP	Presser Foot Shank	50330FP	1
13.	SM-7040800-SL	Screw	SM7040800SL	1
14.	US-0018C14-75	Presser Foot Stopper Screw	18C1475	1
15.	NM-6030001-SD	Nut	NM-6030001SD	1
16.	SM-8030500-SP	Screw	SM8030500SP	1
17.	US-0050330-FS	Step Presser Spring Holder	50330FS	1
18.	US-50330FM-56	Presser Foot Bottom	50330FM56	1
19.	SM-4030300-SC	Screw	SM4030300SC	1
20.	US-0050330-FV	Tape Pick-up Guide	50330FV	1
21.	US-50330FL-56	Step Presser Foot Assembly	50330FL56	1
22.	US-0050330-FW	Step Presser	50330FW	1
23.	PH-0200063-C0	Pin	PH0200063C0	1
24.	US-0050330-FN	Step Presser Foot	50330FN	1
25.	-----	Presser Foot For U06 styles (see chart)	-----	1
26.	SS-6090810-TP	Screw	SS6090810TP	1
27.	US-50330GD-56	Presser Foot Bottom	50330GD56	1
28.	US-0050330-GB	Yielding Section	50330GB	2
29.	US-0050330-GA	Cloth Guide	50330GA	1
30.	US-0050330-FF	Spring	50330FF	1
31.	US-0050330-FE	Roll Pin	50330FE	1
32.	US-0050330-FD	Pin	50330FD	1
33.	US-0050330-FB	Spring	50330FB	1
34.	US-0050330-EY	Presser Foot Shank	50330EY	1
35.	US-0018C14-78	Screw	18C1478	1

MODEL	NEEDLE HEAD	PRESSER FOOT ASSEMBLY	THROAT PLATE	FEED DOG MAIN	FEED DOG DIFFERENTIAL
MF7605U-U06-B56	50318AL56	50320CD56	50324DF56	50305BW	50326BP
MF7605U-U06-B64	50318AL64		50324DF64	50305CB	50326BW
MF7605U-C02-B56	50318AL56	50320CB56	50324AU56	50305BX	50326BT
MF7605U-C02-B64	50318AL64		50324AU64		
MF7605T-U06-B56	50318AL56	50320CD56	50324DF56	50305BW	50326BP
MF7605T-U06-B64	50318AL64		50324DF64	50305CB	50326BW
MF7605T-C02-B56	50318AL56	50320CB56	50324AU56	50305BX	50326BX
MF7605T-C02-B64	50318AL64		50324AU64		



ACCESSORIES
FOR C02 STYLES

Ref.No.	Juki Part No.	Description	Code	Amt.Req.
1.	300-64562	Thread Stand	29480AHU	1
2.	300-64802	Support Shaft	50322L	1
3.	300-64554	Tape Disc	50392C	1
4.	300-69009	Collar	482C	1
5.	300-70908	Screw	22894C	2
6.	300-64307	Shaft	50322H	1
7.	300-64406	Holder	50364A	1
8.	300-64109	Screw	22728	1
9.	300-66401	Wood Screw	90561K	3
10.	US-0023439-LA	Tension Assembly	23439LA	1
11.	US-0005037-8Z	Adjustable Pin	50378Z	2
12.	MAL-01110000	Screw	MAL01110000	1
13.	301-86803	Guide	51-856BLK	1
14.	303-03002	Nut	907	2
15.	SS-6151920-SP	Screw	SS6151920SP	2
16.	301-31205	Spacer	54264D	2



縫見本 STITCH & SEAM TYPE	機種名 MACHINE STYLE	針留 NEEDLE HEAD	押え(組) PRESSER FOOT ASM.	差動送り歯 DIFFERENTIAL FEED DOG	主送り歯 MAIN FEED DOG	針板 THROAT PLATE	針板取付板 THROAT PLATE SUPPORT	布板下板 OIL RESERVOIR COVER	布板 CLOTH PLATE	布板支え CLOTH PLATE SUPPORT	布板 CLOTH PLATE	スライド カバー SLIDE COVER	シリンダー カバー CYLINDER COVER	スウイング カバー SWING COVER	布板(左) CLOTH PLATE LEFT
------------------------------	----------------------	----------------------	----------------------------------	-----------------------------------	--------------------------	-----------------------	-------------------------------------	-----------------------------------	----------------------	-----------------------------------	----------------------	-------------------------------	-----------------------------------	--------------------------------	---------------------------------

407	MFC-7407-U03-B64/UT4	US50318AN64 (50318AN64)	US50320BZ56 (50320BZ56)	US0050326BK (50326BK)	US0050305BU (50305BU)	US50324DE64 (50324DE64)	30285001 (34380)	US029480AYH (29480AYH)	US0050301BK (50301BK)	US0029476SA (29476SA)	US0050301CP (50301CP)	US0050382HX (50382HX)	US0050382FV (50382FV)		
	MFC-7605-U03-B56	US50318AN56 (50318AN56)				US50324DE56 (50324DE56)	30297907 (34382J)								
	MFC-7605-U03-B56/UT2						US029480AYH (29480AYH)								
	MFC-7605-U03-B56/UT5														
605	MFC-7605-U03-B64	US50318AN64 (50318AN64)				US50324DE64 (50324DE64)	30297907 (34382J)	US029480AYH (29480AYH)							
	MFC-7605-U03-B64/UT2														
	MFC-7605-U03-B64/UT5														
	MFC-7605-U03-B64/UT1														
407	MFC-7407-U05-B56/UT4	US50318AN56 (50318AN56)	US50320BX56 (50320BX56)	US0050326BN (50326BN)	US0050305BV (50305BV)	US50324DF56 (50324DF56)	US003034380E (34380E)	US029480AYH (29480AYH)	US0050301CW (50301CW)	US0050382JB (50382JB)		US00050302F (50302F)			
	MFC-7605-U05-B56						30297907 (34382J)								
	MFC-7605-U05-B56/UT2						US029480AYH (29480AYH)								
	MFC-7605-U05-B64	US50318AN64 (50318AN64)		US0050326BX (50326BX)	US0050305CC (50305CC)	US50324DF64 (50324DF64)	30297907 (34382J)								
605	MFC-7605-U06-B56	US50318AN56 (50318AN56)	US50320CD56 (50320CD56)	US0050326BN (50326BN)	US0050305BV (50305BV)	US50324DF56 (50324DF56)									
	MFC-7605-U06-B64	US50318AN64 (50318AN64)		US0050326BX (50326BX)	US0050305CC (50305CC)	US50324DF64 (50324DF64)									
	MFC-7605-U06-B64	US50318AN64 (50318AN64)		US0050326BX (50326BX)	US0050305CC (50305CC)	US50324DF64 (50324DF64)									
	MFC-7605-U06-B64	US50318AN64 (50318AN64)		US0050326BX (50326BX)	US0050305CC (50305CC)	US50324DF64 (50324DF64)									